

ULTRA VIOLET LED Lamp

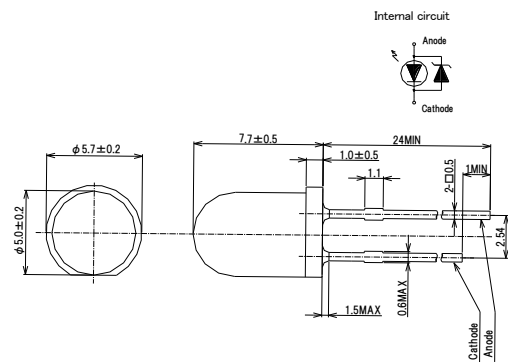
NS400L-ERLM

(1) Absolute Maximum Ratings (Ta=25°C)

Item	Symbol	Maximum Rating	Unit
DC Forward Current	I_F	25	mA
Pulse Forward Current*	I_{FP}	100	mA
Reverse Current	I_R	85	mA
Power Dissipation	P_D	100	mW
Operating Temperature	T_{OPR}	-30 to +80	°C
Storage Temperature	T_{STG}	-30 to +85	°C
Soldering Temperature	T_{SOL}	260(within 10sec)	°C

* Conditions : Duty Cycle \leq 1/10, Pulse Width \leq 0.1msec

(3) Dimension (Unit : mm)



(2) Optical and Electrical Characteristics (Ta=25°C)

Item	Symbol	Condition	Min.	Typ.	Max.	Unit
Forward Voltage	V_F	$I_F=20\text{mA}$	3.0	3.2	4.0	V
Peak Wavelength ^{*1}	λ_p	$I_F=20\text{mA}$	400	-	405	nm
Full Width at Half Maximum	$\Delta\lambda$	$I_F=20\text{mA}$	10	-	20	nm
Optical Output Power ^{*2}	P_o	$I_F=20\text{mA}$	Refer to Rank Information			mW

*1 Measurement error is $\pm 2\text{nm}$

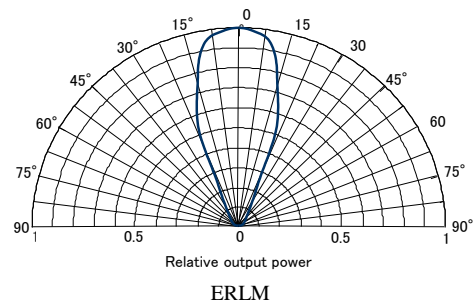
*2 Measurement error is $\pm 10\%$

Rank Information

Rank	Optical Output Power			NS400L
	Min.	Typ.	Max.	-ERLM
14	21.0	-	25.0	○
15	25.0	-	29.4	○

Please contact us for availability.

(4) Directive Characteristics (Ta=25°C)



CAUTION

- LEDs emit very strong UV radiation.
- Don't look directly into the LED light. UV radiation can harm your eyes.
- To prevent even inadequate exposure, wear protective eyewear.
- If LEDs are embedded in devices, please indicate warning labels against the UV light LED used.
- Keep out of reach of children.

Specification and dimension are subject to change for improvement without notice.