

# ULTRA VIOLET LED Lamp

NS365L-5CLA NS365L-5CFA  
 NS370L-5CLA NS370L-5CFA  
 NS375L-5CLA NS375L-5CFA

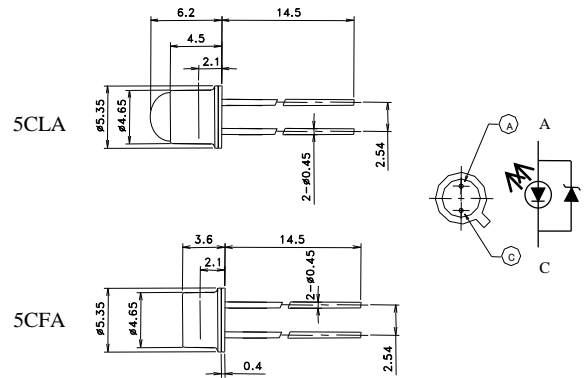
LS20161024

## (1) Absolute Maximum Ratings (Ta=25°C)

Item	Symbol	Maximum Rating	Unit
DC Forward Current	$I_F$	25	mA
Pulse Forward Current*	$I_{FP}$	100	mA
Reverse Current	$I_R$	85	mA
Power Dissipation	$P_D$	100	mW
Operating Temperature	$T_{OPR}$	-30 to +80	°C
Storage Temperature	$T_{STG}$	-30 to +100	°C
Soldering Temperature	$T_{SOL}$	260(within 10sec)	°C

\* Conditions : Duty Cycle  $\leq$  1/10, Pulse Width  $\leq$  0.1msec

## (3) Dimension (Unit : mm)



## (2) Optical and Electrical Characteristics (Ta=25°C)

Item	Symbol	Condition	Min.	Typ.	Max.	Unit
Forward Voltage	$V_F$	$I_F=20mA$	3.2	3.6	4.2	V
Peak Wavelength*1	NS365L	$I_F=20mA$	363	-	370	nm
	NS370L		370	-	375	
	NS375L		375	-	380	
Full Width at Half Maximum	NS365L	$I_F=20mA$	-	12	-	nm
	NS370L		-		-	
	NS375L		-		-	
Optical Output Power*2	$P_o$	$I_F=20mA$	Refer to Rank Information			mW

\*1 Measurement error is  $\pm 2nm$

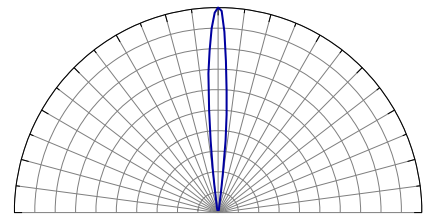
\*2 Measurement error is  $\pm 10\%$

## Rank Information

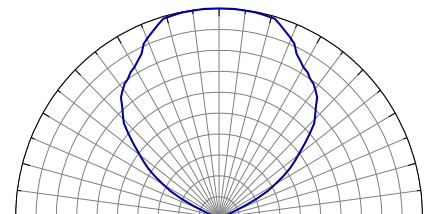
Rank	Optical Output Power			NS365L		NS370L		NS375L	
	Min.	Typ.	Max.	-5CLA	-5CFA	-5CLA	-5CFA	-5CLA	-5CFA
4	0.8	-	1.2	○	○	○			
5	1.2	-	1.8		○	○	○	○	
6	1.8	-	2.4				○	○	
7	2.4	-	4.0						
8	4.0	-	6.0						○

\*3 Please contact us for availability.

## (4) Directive Characteristics (Ta=25°C)



5CLA



5CFA



### CAUTION

- LEDs emit very strong UV radiation.
- Don't look directly into the LED light. UV radiation can harm your eyes.
- To prevent even inadequate exposure, wear protective eyewear.
- If LEDs are embedded in devices, please indicate warning labels against the UV light LED used.
- Keep out of reach of children.

Specification and dimension are subject to change for improvement without notice.